



JS / JSSC / JP

GMS

hydraulic

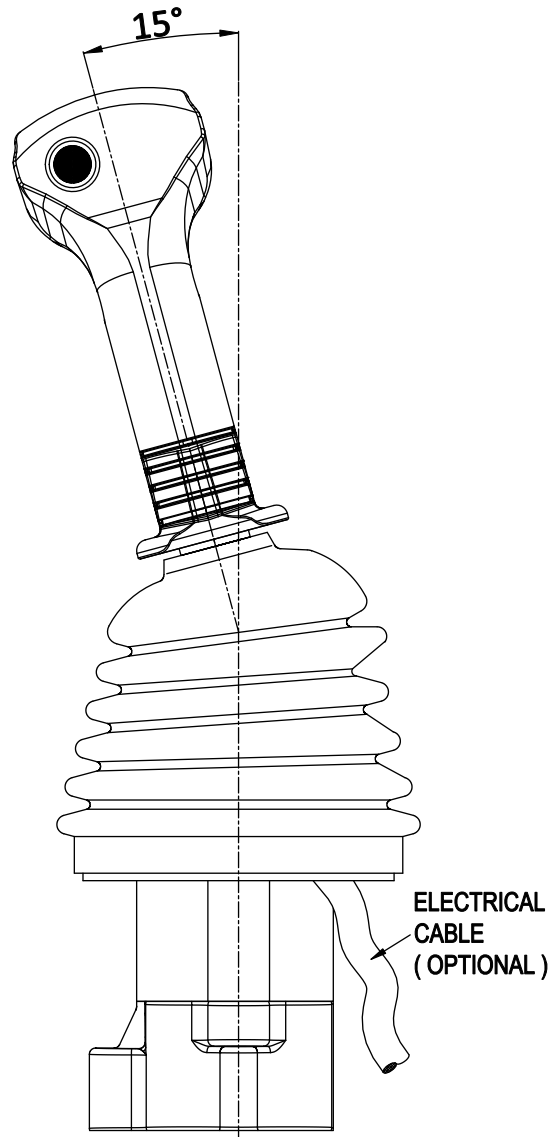
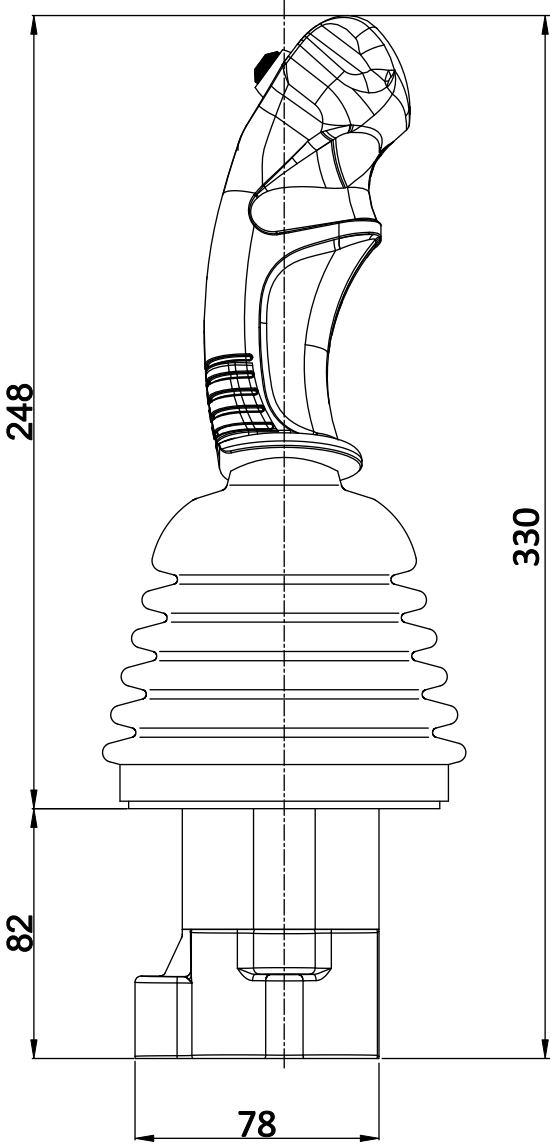
JS100: 1 Axis Cable Control Joystick

JS200: 2 Axis Cable Control Joystick

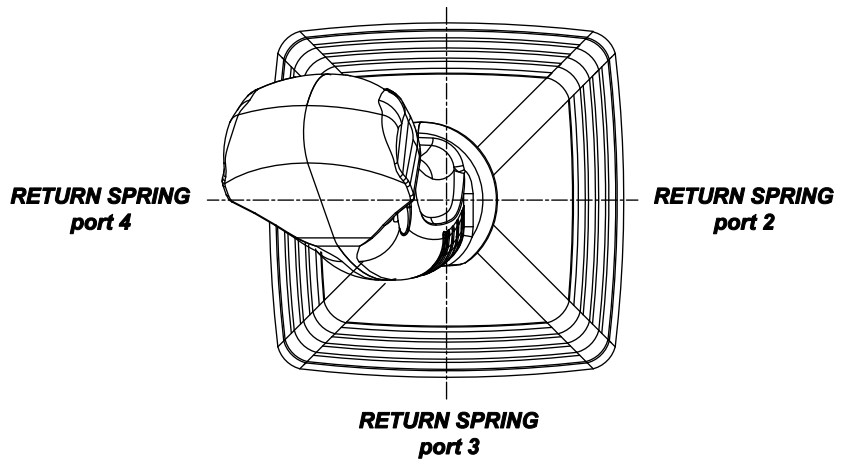
JSSC100: 1 Axis Hydraulic Pilot Valve

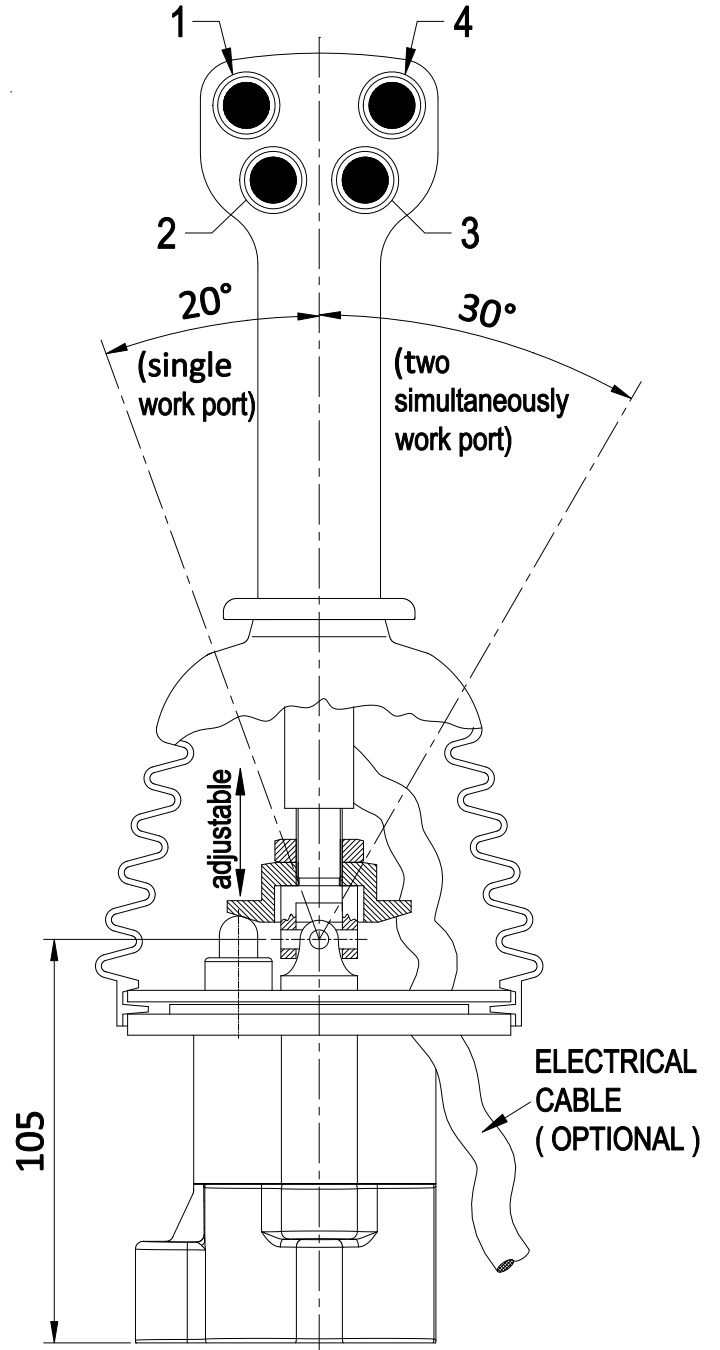
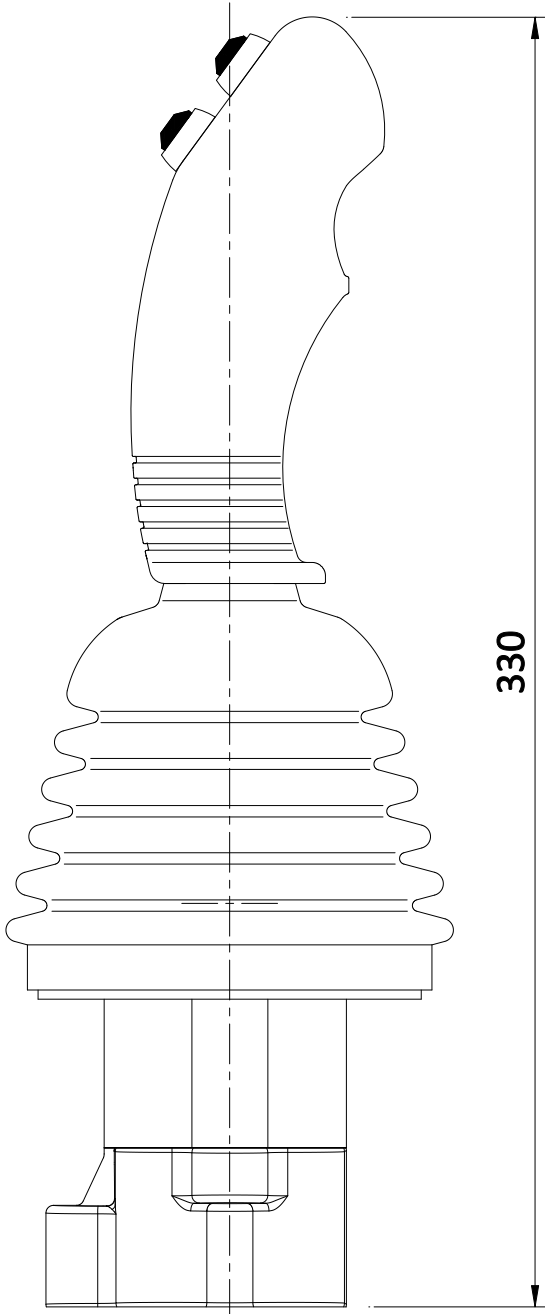
JSSC400: 2 Axis Hydraulic Pilot Valve

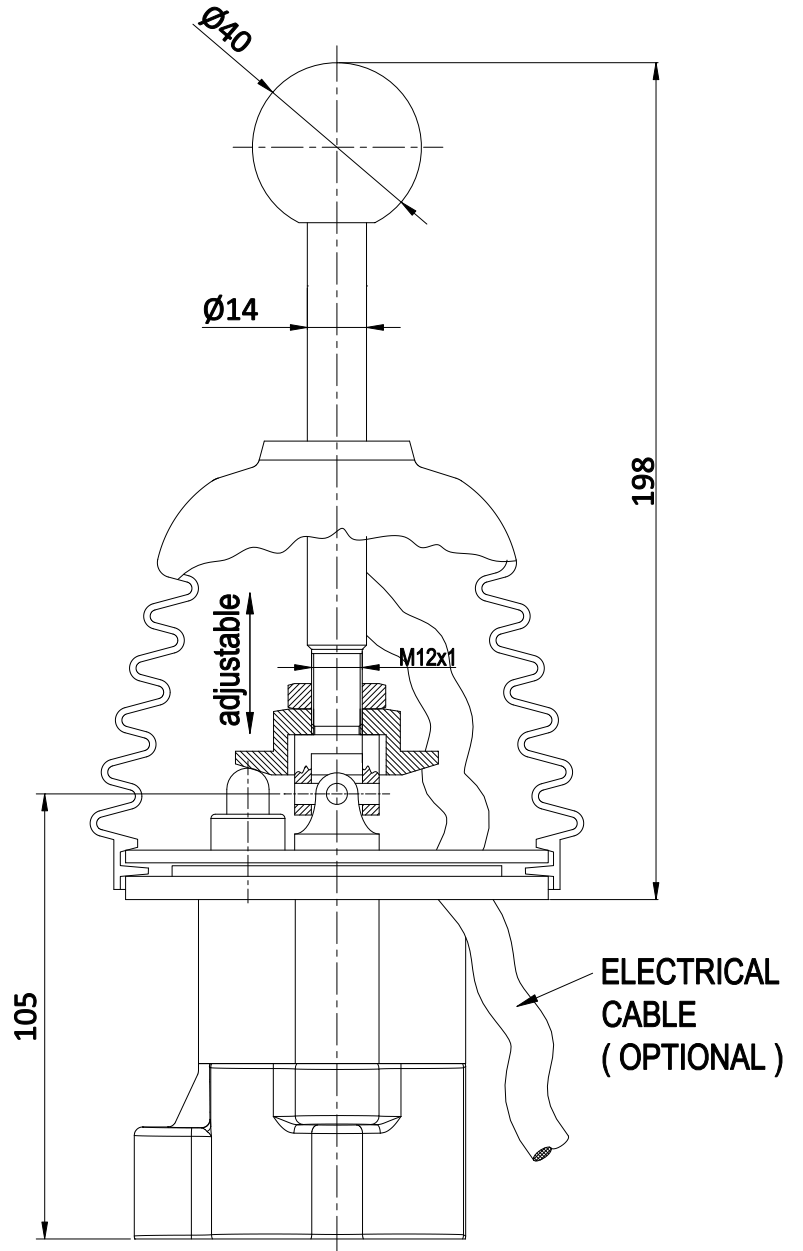
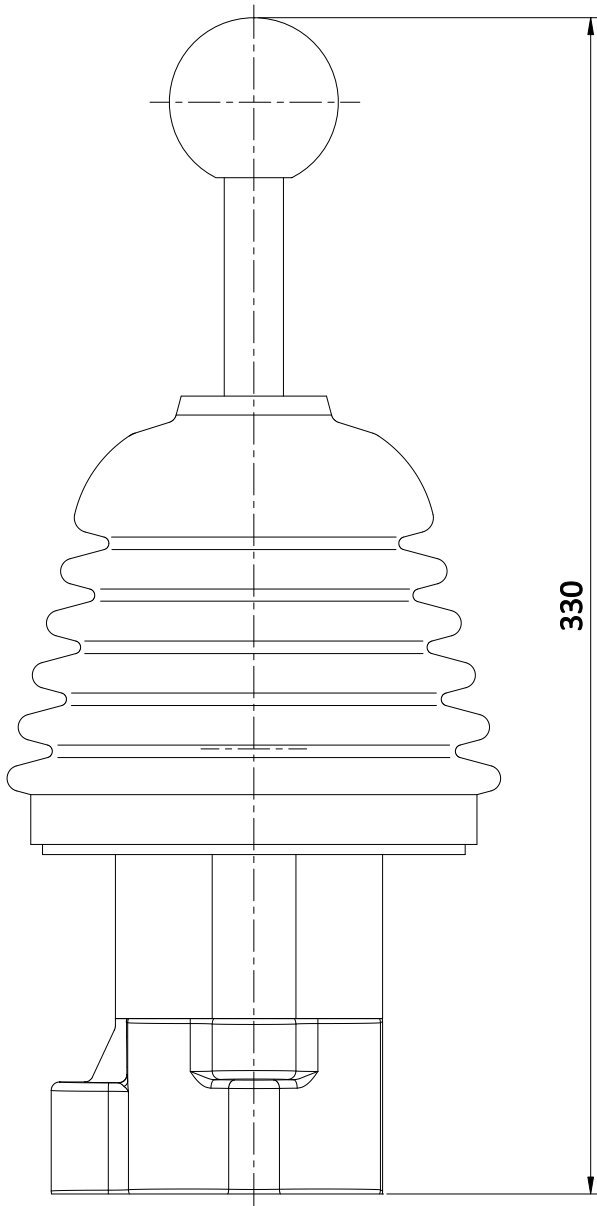
JP100: 1 Axis Pneumatic Pilot Valve

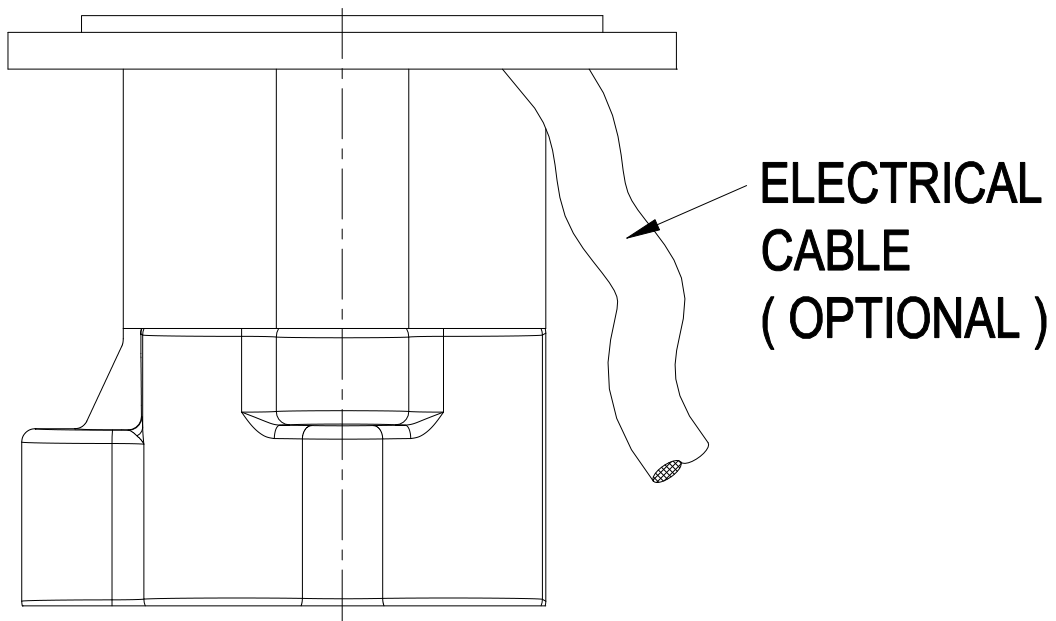
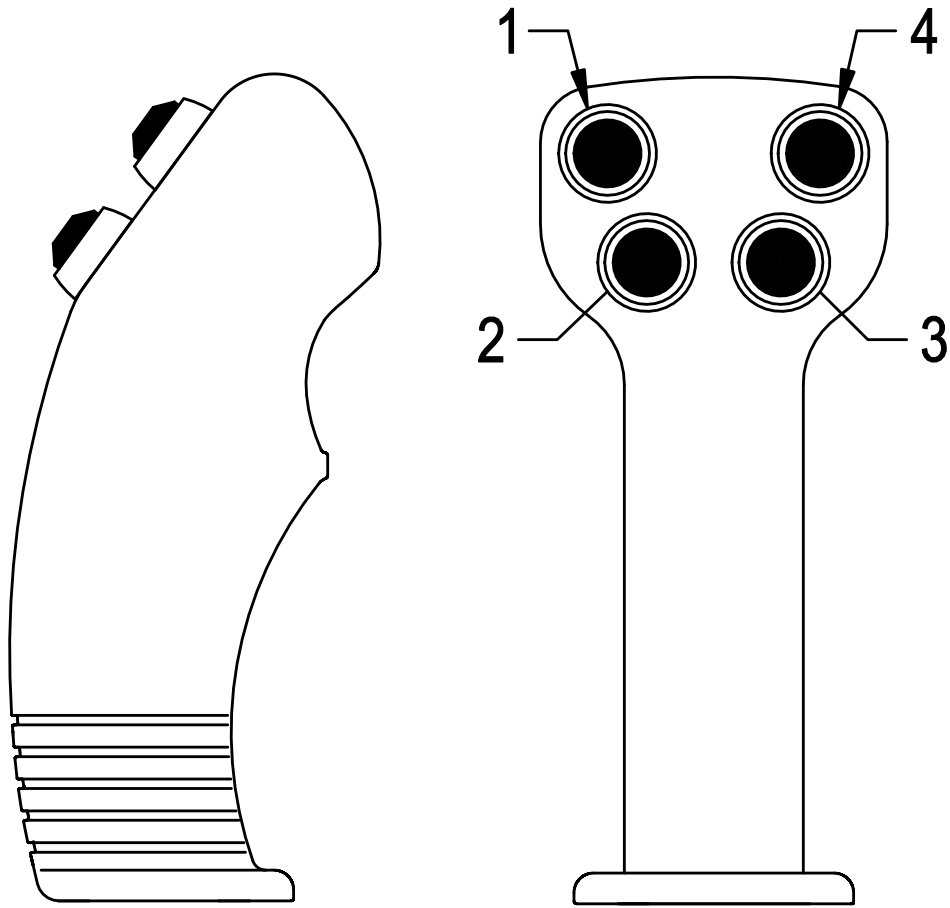


RETURN SPRING + DETENT
port 1

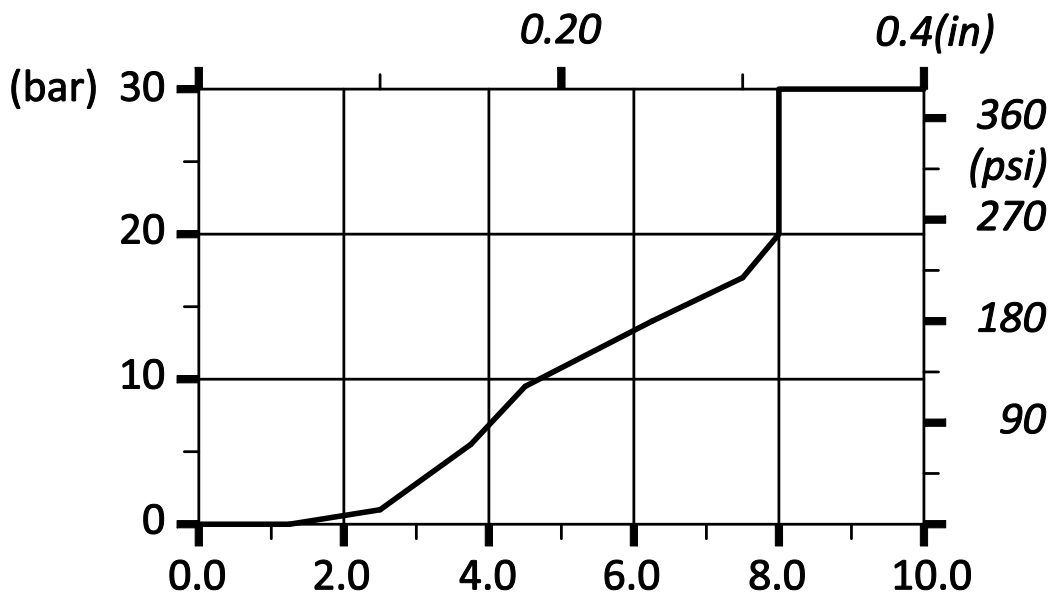








*metering curve (port 1)
return spring (YBM Y0048)*



*metering curve (port 2,3,4)
return spring (YBM Y0048)*

